

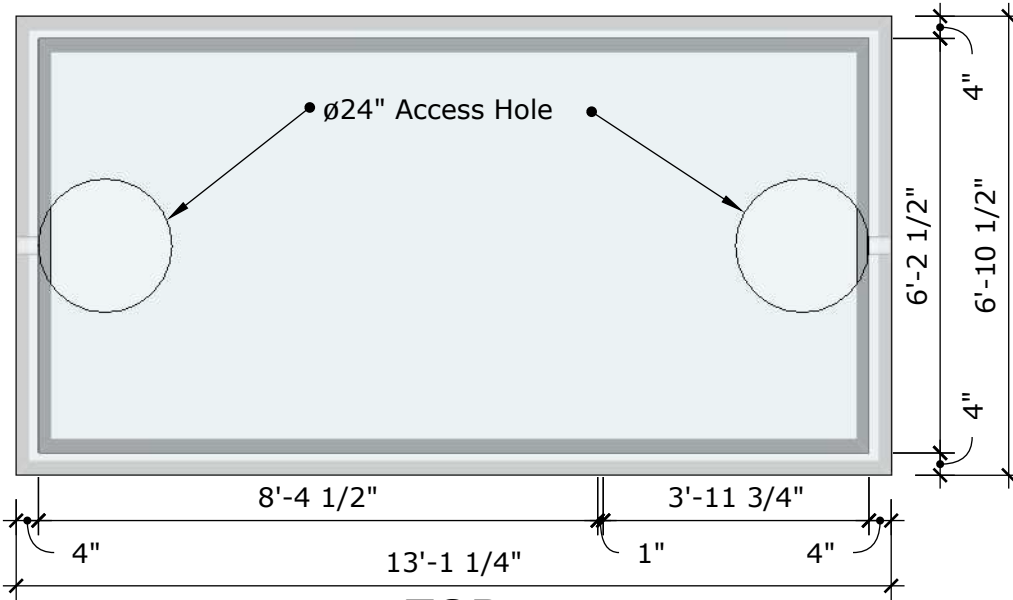


DWG:	2500-1COMP
DATE:	September 27, 2022
SCALE:	NTS

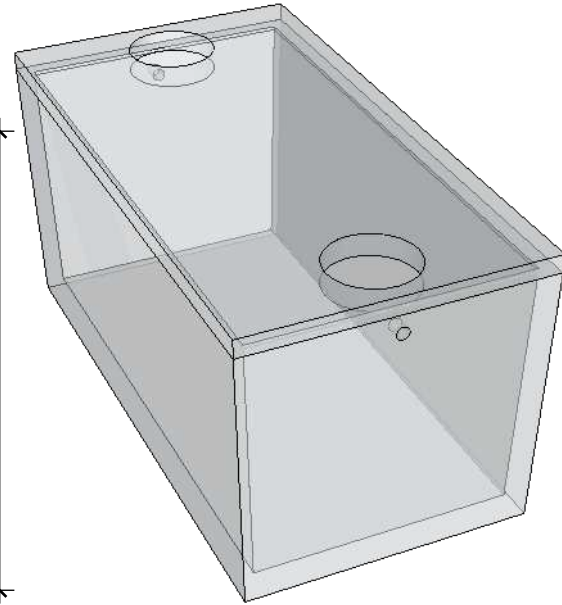
CDA Redi Mix and Precast
6399 W. Bedrock Rd.
Post Falls, ID 83854
(208)762-0235

2,500 Gallon 1 Compartment Septic Tank

MANUFACTURED IN ACCORDANCE WITH ASTM C-913



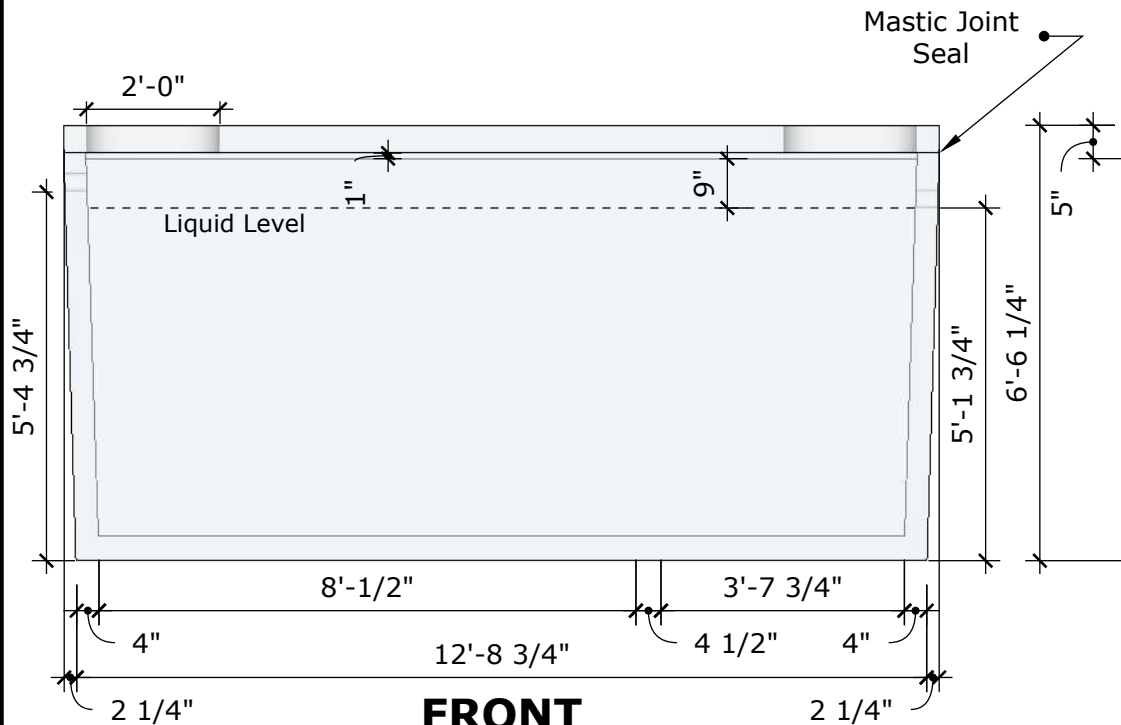
TOP



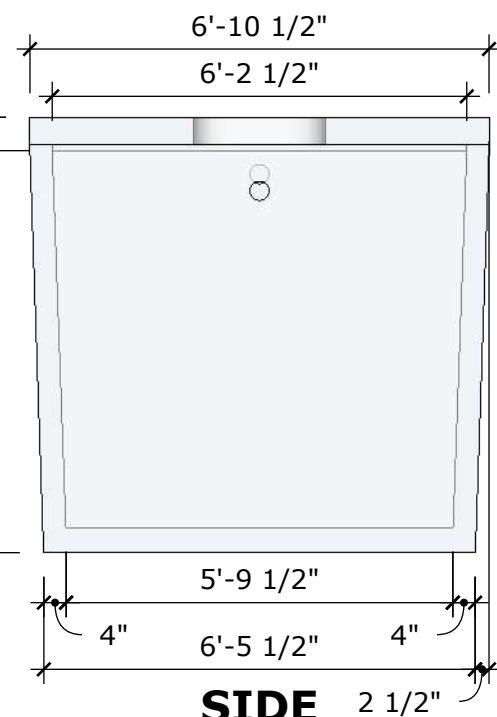
ITEM	WEIGHT
Tank	14,657#
5" Lid	4,768#
7" Lid	6,736#

***6'-0" MAXIMUM BURY DEPTH**

***7" HS-20 Traffic Rated Lid Available**



FRONT



SIDE

Mastic Joint Seal