

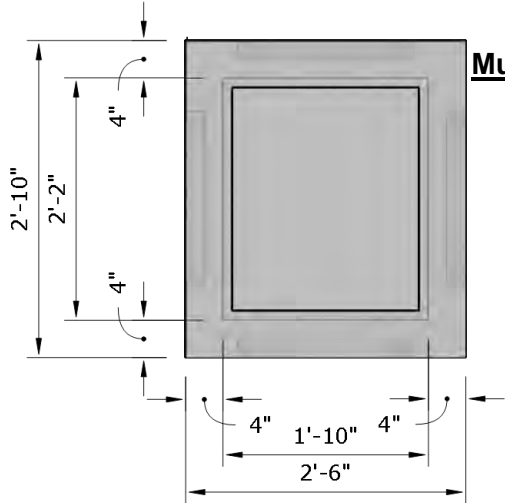


DWG:	CB-Type1
DATE:	4/20/2020
SCALE:	NTS

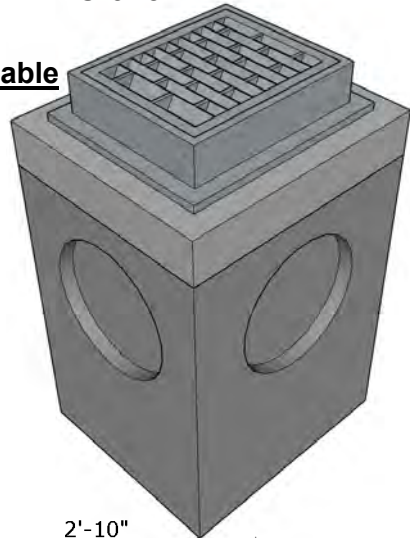
**CDA Redi Mix and Precast**  
 6399 W. Bedrock Rd.  
 Post Falls, ID 83854  
 (208)762-0235

## Type 1 - Catch Basin

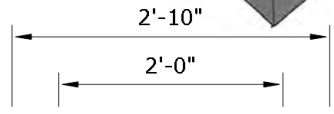
MANUFACTURED IN ACCORDANCE WITH ASTM C-913



Multiple Grate Options Available



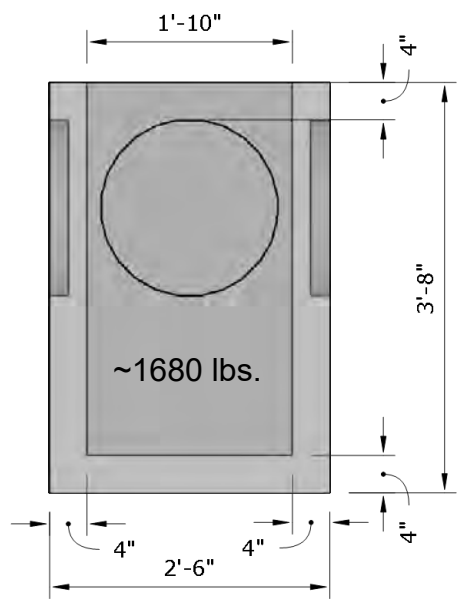
**TOP**



2", 3", 4", 6", 12" Available

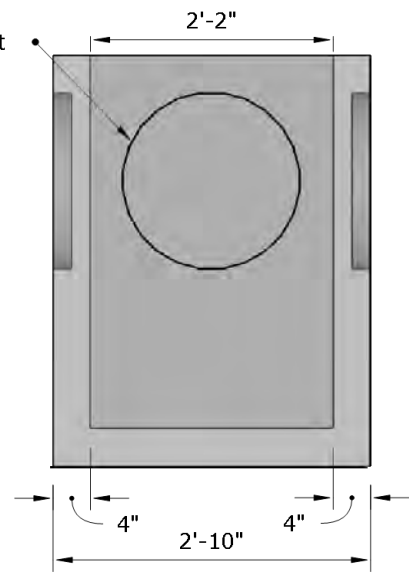


**ADJUSTMENT RISER**



**FRONT**

20" Knockout



**SIDE**